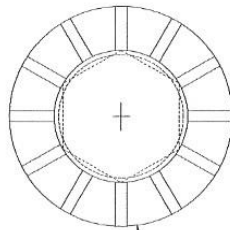
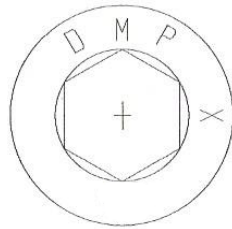
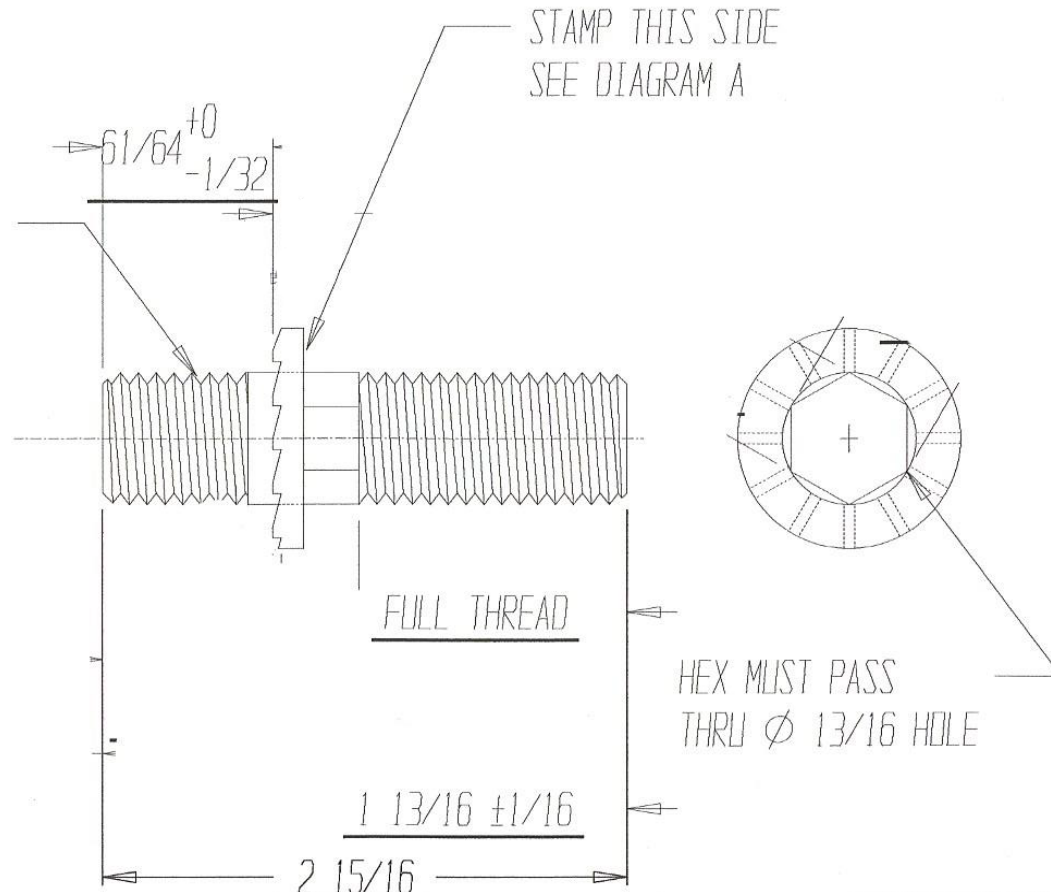


DIAGRAM A



$\phi 1.250 \pm 1/32$

3/4-10 NC
BOTH ENDS



Item	Part No.	QTY	Description
1	DMP 201	1	Line post stud
2	HN 3/4	1	3/4 hex nut
3	LW 3/4	2	3/4 spring lock washer

ALL DIMENSIONS ARE REFERENCE AND ARE IN INCHES, EXCEPT AS NOTED



Downey Metal Products, Inc.
7000 Airways Park Drive, East Syracuse, N.Y. 13057
www.downeymetal.com | (315) 433-1130

PRODUCT NAME

Line Post Stud Assembly

PRODUCT DESCRIPTION

Line post studs. Short shank for steel crossarms. All Studs are Hot Dip Galvanized and Stressed Relieved.

PRODUCT NUMBER

DMP-201